

iPROJEX – Translation prior FV

Data file structure and contents (XML format)

Version	Date	Author	Modifications description
1.0	2016-08-01	EDP/CC	Initial version

Table of Contents

1	Purpose	3
2	Introduction to the business area.....	3
3	XML file structure and content.....	3
3.1	Schema	3
3.2	Data fields.....	4
3.2.1	Header info	4
3.2.2	Translation prior FV information (tab 'TRANSFV').....	4
4	Errors and Warnings	5
4.1	Error messages	5
4.2	Warning messages.....	7
5	Reminder file criteria	7
	ANNEX I – iPROJEX documentation per modules.....	8

1 Purpose

This document is intended to complement the [iPROJEX General User Guide](#) which explains:

- how to use the iPROJEX tool
- the different steps to perform when using iPROJEX (common to all modules)

The aim of this documentation is to give you detailed information on the 'Translation prior FV' module (XML format):

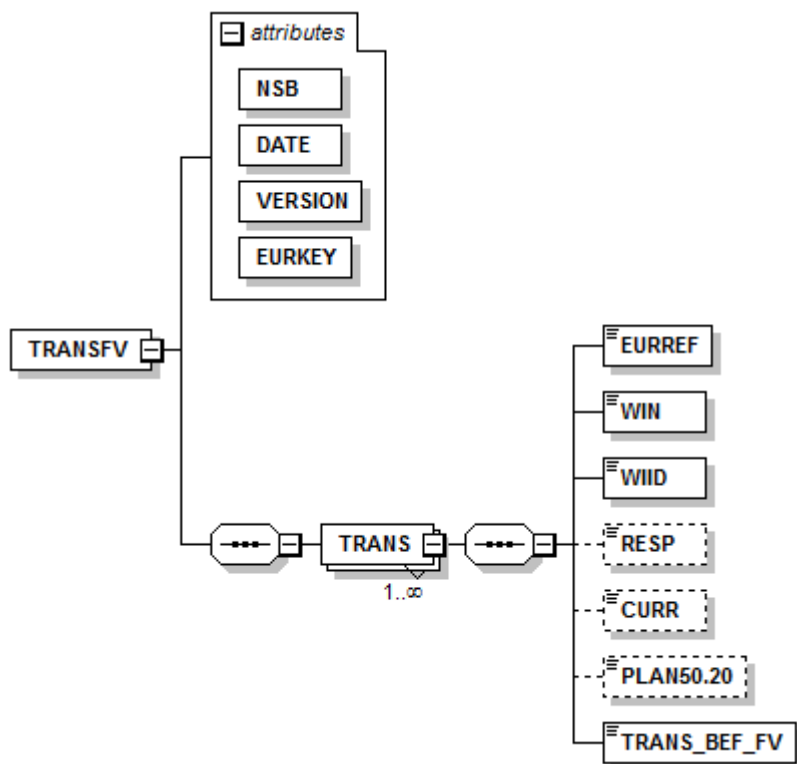
- detailed information on the XML file structure (field names, description...)
- explanation of all error and warning messages (displayed on the screen or included in the log files)
- reminder files criteria

2 Introduction to the business area

In the framework of the revised Formal Vote procedure (cf decisions CEN/BT 44/2015 and CENELEC D 152/028), the NSBs responsible for the provision of the translation of the European standards are requested to inform CCMC if they intend (or not) to translate before the launch of the Formal vote.

3 XML file structure and content

3.1 Schema



3.2 Data fields

3.2.1 Header info

The header is composed of the following fields:

Name	Type	Description	Obligation
NSB	String	National member name. Examples: AFNOR, DKE, DIN	Compulsory
DATE	Date	Date and time the file was generated Example: 2016-08-01T11:49:17	Compulsory
VERSION	Integer	Version number = 1	Compulsory
EURKEY	Integer	The identification of the European Standard is clearly critical for the exchange of data. The data element EURKEY is used to indicate which key your organization is using. Values: 1 = WIID 2 = WIN 3 = EURREF Note: The Reminder file contains these 3 keys and the EURKEY is set by default to the WIID.	Compulsory

3.2.2 Translation prior FV information (tab 'TRANSFV')

This sheet contains information on the intention to translate or not before Formal Vote.

Name	Type	Data	Description	Obligation
EURREF	String	European standard reference	Examples: prEN 13565-2, prEN 12216	Compulsory if EURKEY = 3
WIN	String	Work Item number	Work Item number Examples: 00191285, 00033410	Compulsory if EURKEY = 2
WIID	String	Identifier of the European standard	Identifier of the European standard CCMC database surrogate of the WI as provided in PROJEXDATA. Examples: 62301, 35648	Compulsory if EURKEY = 1

Name	Type	Data	Description	Obligation
RESP	String	Responsible Technical Body	For information only.	Optional
CURR	String	Current stage-code	For information only.	Optional
Plan50.20	Date	Plan date stage-code 50.20.0000	For information only.	Optional
TRANS_BEF_FV	Integer	Translation prior FV	2 possible values: 1 (Yes) 0 (No)	Compulsory

4 Errors and Warnings

Reminder:

An **Error** is a problem which will prevent the data record from being loaded into the CCMC database.

A **Warning** does not prevent the data record from being loaded but should be noted and possibly investigated by the user.

4.1 Error messages

Error message	Explanation	Action to be taken
This National Standardization Body does not exist in the CCMC database. Please give correct information.	The national member name contained in the file is not valid. This could potentially occur when your organization has recently changed name.	Re-check your organization name and otherwise contact the CCMC Database Unit (dataservice@cencenelec.eu)
No data will be added. NSB indicated in the data file does not correspond to your user profile.	The national member name contained in the file is not valid. This could potentially occur when your organization has recently changed name.	Re-check your organization name and otherwise contact the CCMC Database Unit (dataservice@cencenelec.eu)
This WI surrogate does not exist in the Work Programme. Please give correct WI surrogate.	Incorrect WI surrogate (EURKEY = 1)	Check and correct the field 'WIID' before uploading your file.

2016-08-01

Error message	Explanation	Action to be taken
This WI number does not exist in the Work Programme. Please give correct WI number.	Incorrect WI number (EURKEY = 2)	Check and correct the field 'WIN' before uploading your file.
This European standard reference does not exist in the Work Programme. Please give exact reference.	Incorrect European standard reference (EURKEY = 3)	Check and correct the field 'EURREF' before uploading your file.
The WI surrogate is missing. Please give the information.	Missing compulsory information (EURKEY = 1)	You need to provide the WIID as this is your selected key (EURKEY = 1). Complete this data and reload the file.
The WI number is missing. Please give the information.	Missing compulsory information (EURKEY = 2)	You need to provide the WIN as this is your selected key (EURKEY = 2). Complete this data and reload the file.
The European standard reference is missing. Please give the information.	Missing compulsory information (EURKEY = 3)	You need to provide the EURREF as this is your selected key (EURKEY = 3). Complete this data and reload the file.
The information on the FV translation option is missing. Please give the information.	Missing compulsory information (Translation prior FV)	You need to provide your intention concerning the translation prior FV. Complete this data and reload the file.
The information on the FV translation option is incorrect. Please give the correct information.	The compulsory field 'Translation prior FV' contains an incorrect value	Check and correct the field 'Translation prior FV' and re-load the file. The 2 possible values are: - 0 (for 'No') - 1 (for 'Yes')
The CEN-CENELEC database cannot be updated since the Work Item is not at an appropriate stage. Please contact the CCMC Publications Unit (production@cencenelec.eu) if a modification is needed.	The WI must be at a stage that allows data to be updated.	Contact the CCMC Publications Unit (production@cencenelec.eu) if a modification is needed.

Error message	Explanation	Action to be taken
Information on FV translation option already provided. No update will be performed. Please contact the CCMC Publications Unit (production@cencenelec.eu) if a modification is needed.	The information on the FV translation option has already been provided.	Contact the CCMC Publications Unit (production@cencenelec.eu) if a modification is needed.
No data loaded. This WI/Standard is not active.		Check your data and contact the CCMC Publications Unit (production@cencenelec.eu) should you need more information.
SYSTEM ERROR	An unexpected error has occurred.	Contact dataservice@cencenelec.eu .

4.2 Warning messages

No Warning messages

5 Reminder file

- Criteria** Only one criteria available for this module
- Information on Translation prior FV missing

Select a module: Translation prior Formal Vote

Upload Files | Create Reminder Files | Administration

1 Add a file:

Criteria: Information on Translation prior FV missing

Format: Xml Excel (xls) Compress file

Create reminder file

2 Available files:

Date	Options	Criteria	From	To	Format		
2016-07-18	Missing	None			XML		
2016-07-18	Missing	None			XLS		
2016-07-18	Missing	None			XLS		

Format The reminder file can be provided in **XML** (default value) or **XLS** format.

The file can also be compressed (zipped) → check the **Compress file** option.

Format: Xml Excel (xls) Compress file

Create reminder file

Click on '**Create reminder file**' to generate the reminder file.

ANNEX I – iPROJEX documentation per modules

Specific documentations are available for all the modules (per format):

National Implementation	iPROJEX - National Implementation - Data file structure and contents (XML format) iPROJEX - National Implementation - Data file structure and contents (XLS format)
ICS	iPROJEX - ICS - Data file structure and contents (XML format)
National Titles	iPROJEX - National Titles - Data file structure and contents (XML format) iPROJEX - National Titles - Data file structure and contents (XLS format)
Technical Body Titles and Scopes	iPROJEX - TB Titles and Scopes - Data file structure and contents (XML format)
Infopro	iPROJEX - Infopro - Data file structure and contents (XML format) iPROJEX - Infopro - Data file structure and contents (XLS format)
Keymark Certificates	iPROJEX - Keymark - Data file structure and contents (XLS format)